

CRUSHER WITH HOES RZ





The RZ crusher with hoes has been designed for grinding large pieces of clay. The granularity of the material is reduced by this operation, simplifying its transports and workability at the next stage.

Since the machine does not have any particular devices for measuring the granularity, the product has a wide range of granularity.

The crusher is mainly composed of:

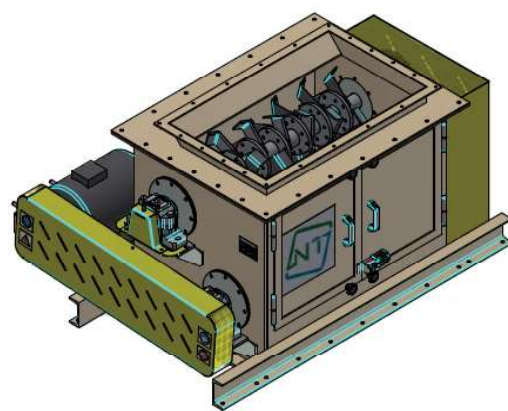
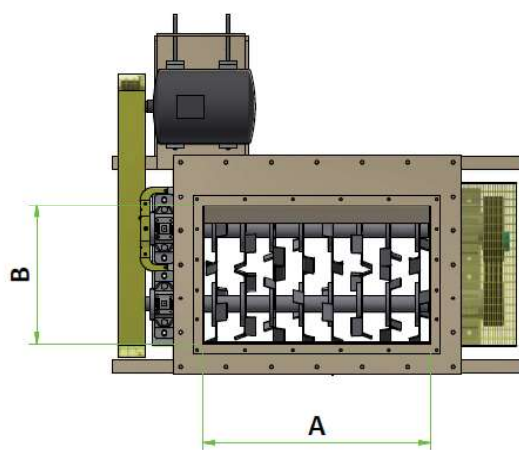
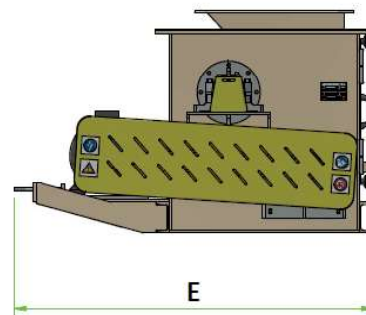
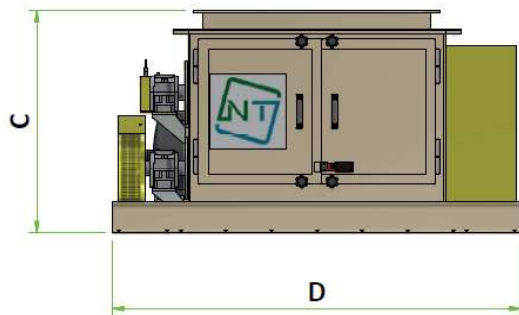
- A rectangular body made of thick steel plate.
- A couple of rotating shafts, supported by roller bearings, to which the grinding components are attached (the hoes).
- A drive consisting of an electric motor and a couple of pulleys connected by means of V belts.

The section of the blades and the distance between them can vary according to need. The speed of rotation is determined by the type of motor, the reduction gear ratio and the transmissions pulleys. By changing one or the other of these factors, the desired speed for a given case can be obtained.

The machine is operated from an electric control panel.

There must be a local emergency stop button for stopping the machine if necessary.

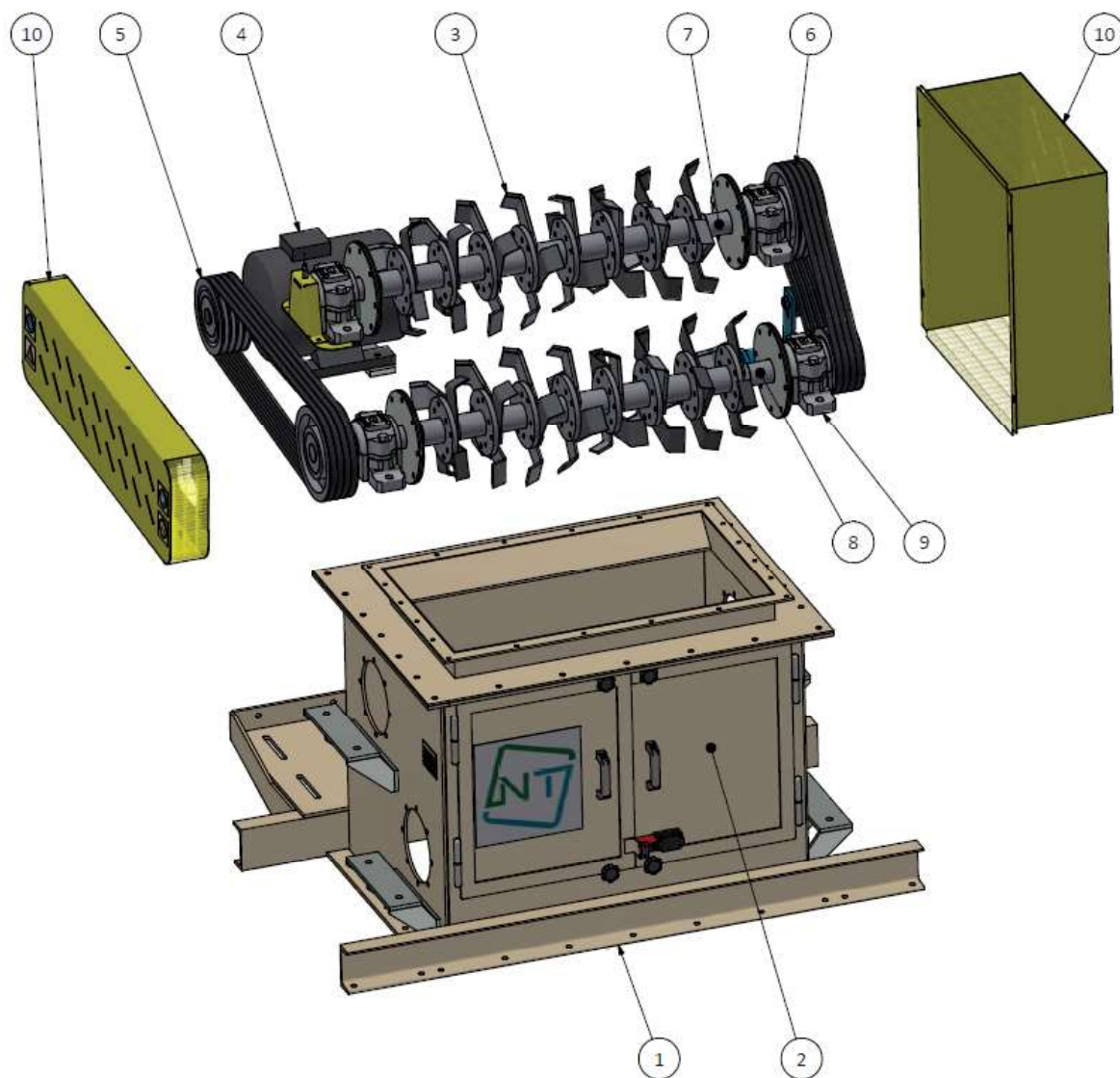




Model	A	B	C	D	E	Weight Kg.	Productivity Ton/h	Installed Power Kw.
RZ 700	700	550	880	1420	1345	650	25	11
RZ 900	900	550	880	1620	1345	710	35	11
RZ 1100	1100	550	880	1820	1345	800	42	11

Measurements expressed in millimeters. Non-binding data.

Novatech reserves the right to modify the technical data indicated above. Please refer to the relevant Use and Maintenance Manual for any product limitations.



1	CARCASS
2	INSPECTION DOOR
3	TOOL (HOES)
4	ELECTRIC MOTOR
5	PRIMARY TRANSMISSION
6	SECONDARY TRANSMISSION
7	PRIMARY SHAFT
8	SECONDARY SHAFT
9	SUPPORT BEARING
10	PROTECTIVE CARTER



Novatech Srl
 S.S. 467, n.127
 42013 S. Antonino di Casalgrande (RE)
 Italy
 Tel. +39 0536 823344

info@nova-tech.it
 www.nova-tech.it