

# ROTARY CLOD CRUSHER RA



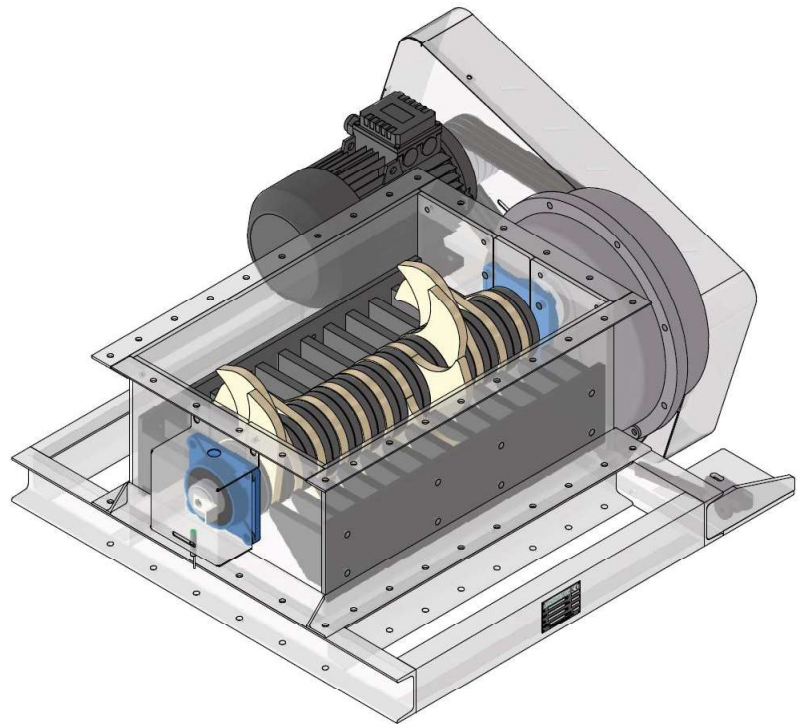


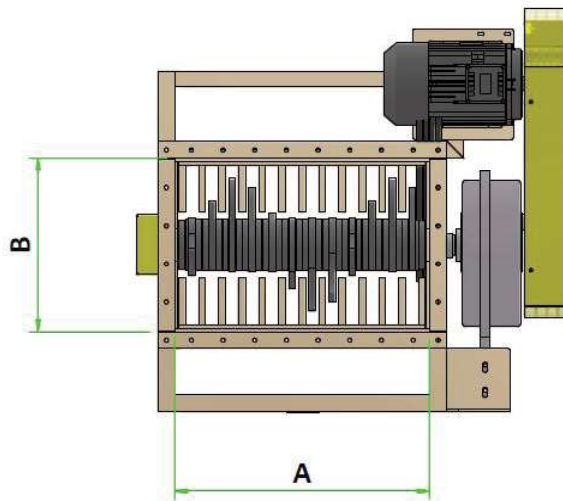
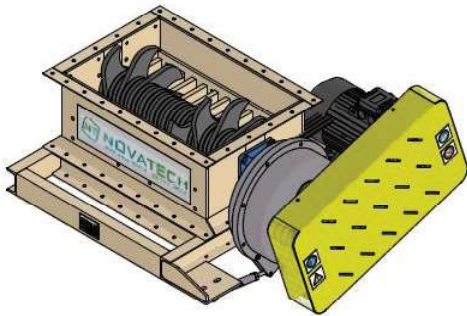
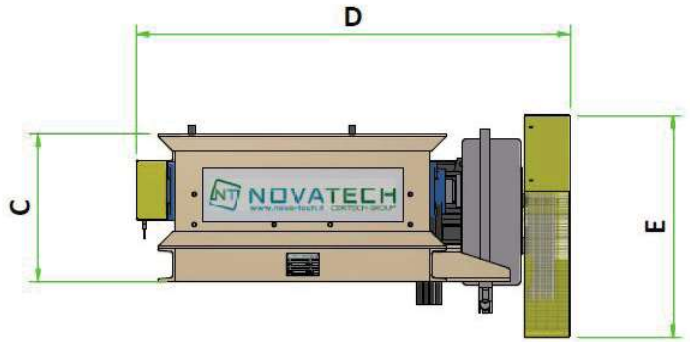
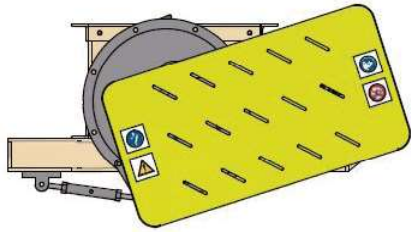
The RA rotary clod crusher is used for crushing clay-type raw materials, even with high moisture content, employed in various industrial sectors.

The machine consists of a robust main body housing a rotor equipped with milling tools (blades). The rotor is driven by an electric motor connected via a pendulum reducer and V-belt transmission.

Material loaded from above is crushed by the rotor's action and exits through the lower discharge opening.

The machine includes a scraper for cleaning the tools. For each crusher size, the tool spacing can vary depending on the desired degree of material crushing.

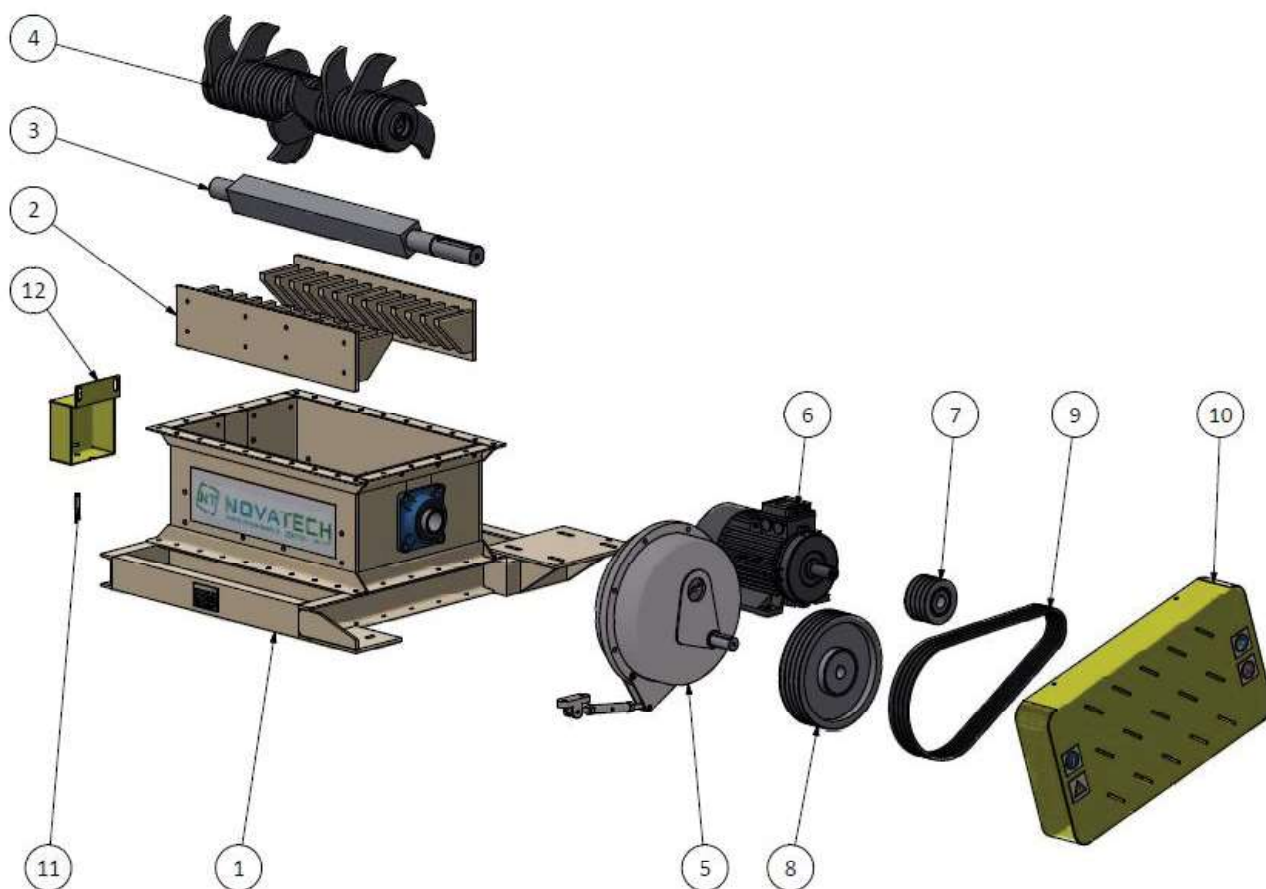




Model	A	B	C	D	E	Weight Kg.	Productivity Ton/h	Installed power Kw.
RA 500	565	520	440	1100	660	600	25	7,5
RA 700	765	520	440	1300	660	650	30	7,5
RA 900	965	520	440	1500	660	700	38	11

Dimensions in millimetres. Non-binding data.

Novatech reserves the right to modify the technical data indicated above. For any limitations of the product, consult the relevant Use and Maintenance Manual.



1	MAIN BODY
2	SCRAPER
3	SHAFT
4	ROTOR WITH MILLING TOOLS (BLADES)
5	GEAR REDUCER
6	ELECTRIC MOTOR
7	MOTOR PULLEY
8	REDUCER PULLEY
9	V-BELTS
10	PULLEYS PROTECTION CARTER
11	MOTOR SENSOR
12	SENSOR HOLDER CARTER



Novatech Srl  
 S.S. 467, n.127  
 42013 S. Antonino di Casalgrande (RE)  
 Italy  
 Tel. +39 0536 823344

info@nova-tech.it  
 www.nova-tech.it